

Model JAC - 259



**Red/Green
Target display**

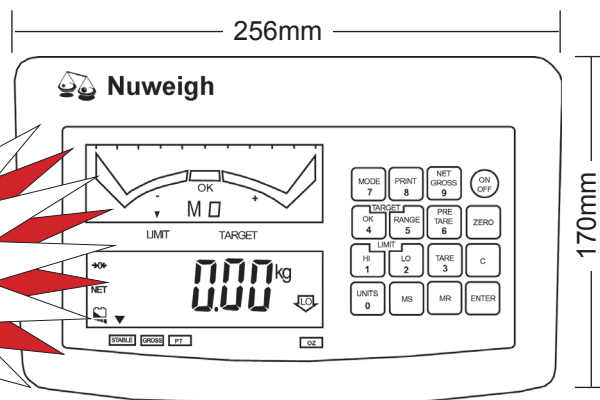
Stainless Steel Indicator

- IP 67 Protection
- Large 26mm Display
- High/Low/OK Display Function
- Battery or AC Power Operation

- Tare & Zero function
- Full numeric keyboard
- Standard RS 232 output
- Relay option PCB
- NMI Trade Approved
- Analogue target weight display
- Stainless steel mounting bracket
- Rechargeable battery



**Standard
240 volt
Power Lead**



RS 232
output to
computer

Connection
to any scale
or loadcell

Distributed by:



Proudly Sold & Serviced By:

Able Scale Co Pty Ltd
Ph: 1300 731 360

21 Green St Thomastown VIC. 3074

find us on the web: www.ablescale.com.au